

# JENN-AIR® TOUCH-ACTIVATED ELECTRONIC INDUCTION COOKTOP

## TABLE DE CUISSON À INDUCTION À COMMANDE ÉLECTRONIQUE TACTILE JENN-AIR®

---

### Use & Care Guide

For questions about features, operation/performance, parts, accessories, or service in the U.S.A., call:  
**1-800-JENNAIR (1-800-536-6247)** or visit our website at **www.jennair.com**.  
In Canada, call: **1-800-807-6777**, or visit our website at **www.jennair.ca**.

---

### Guide d'utilisation et d'entretien

Au Canada, pour assistance, installation ou service, composez le **1-800-807-6777** ou visitez notre site Web à **www.jennair.ca**.

---

Table of Contents/Table des matières..... 2

---



---

## TABLE OF CONTENTS

<b>COOKTOP SAFETY</b> .....	<b>3</b>
<b>COOKTOP USE</b> .....	<b>5</b>
Induction Cooking.....	5
Cooktop Controls.....	5
Dual Size Surface Cooking Area.....	6
Cooktop Power Off .....	6
Control Lock.....	7
Performance Boost Function .....	7
Timer.....	7
Ceramic Glass .....	8
Home Canning .....	8
Cookware .....	8
<b>COOKTOP CARE</b> .....	<b>9</b>
General Cleaning.....	9
<b>TROUBLESHOOTING</b> .....	<b>9</b>
<b>ASSISTANCE OR SERVICE</b> .....	<b>11</b>
In the U.S.A. ....	11
Accessories .....	11
In Canada .....	11
<b>WARRANTY</b> .....	<b>12</b>

---

## TABLE DES MATIÈRES

<b>SÉCURITÉ DE LA TABLE DE CUISSON</b> .....	<b>13</b>
<b>UTILISATION DE LA TABLE DE CUISSON</b> .....	<b>15</b>
Cuisson par induction .....	15
Commandes de la table de cuisson .....	16
Surface de cuisson à dimension double.....	17
Mise hors tension de la table de cuisson .....	17
Verrouillage des commandes.....	17
Fonction Performance boost .....	17
Minuterie.....	18
Vitrocéramique .....	18
Préparation de conserves à la maison.....	19
Ustensiles de cuisson .....	19
<b>ENTRETIEN DE LA TABLE DE CUISSON</b> .....	<b>19</b>
Nettoyage général .....	19
<b>DÉPANNAGE</b> .....	<b>20</b>
<b>ASSISTANCE OU SERVICE</b> .....	<b>22</b>
Accessoires .....	22
<b>GARANTIE</b> .....	<b>23</b>

# COOKTOP SAFETY

## Your safety and the safety of others are very important.

We have provided many important safety messages in this manual and on your appliance. Always read and obey all safety messages.



This is the safety alert symbol.

This symbol alerts you to potential hazards that can kill or hurt you and others.

All safety messages will follow the safety alert symbol and either the word "DANGER" or "WARNING."

These words mean:

**⚠ DANGER**

You can be killed or seriously injured if you don't immediately follow instructions.

**⚠ WARNING**

You can be killed or seriously injured if you don't follow instructions.

All safety messages will tell you what the potential hazard is, tell you how to reduce the chance of injury, and tell you what can happen if the instructions are not followed.

# IMPORTANT SAFETY INSTRUCTIONS

**WARNING:** To reduce the risk of fire, electrical shock, injury to persons, or damage when using the cooktop, follow basic precautions, including the following:

- **CAUTION:** Do not store items of interest to children in cabinets above a cooktop – Children climbing on the cooktop to reach items could be seriously injured.
- Proper Installation – Be sure your cooktop is properly installed and grounded by a qualified technician.
- Never Use Your Cooktop for Warming or Heating the Room.
- Do Not Leave Children Alone – Children should not be left alone or unattended in area where cooktop is in use. They should never be allowed to sit or stand on any part of the cooktop.
- Wear Proper Apparel – Loose-fitting or hanging garments should never be worn while using the cooktop.
- User Servicing – Do not repair or replace any part of the cooktop unless specifically recommended in the manual. All other servicing should be referred to a qualified technician.
- Storage on Cooktop – Flammable materials should not be stored near surface units.
- Do Not Use Water on Grease Fires – Smother fire or flame or use dry chemical or foam-type extinguisher.
- Use Only Dry Potholders – Moist or damp potholders on hot surfaces may result in burns from steam. Do not let potholder touch hot heating elements. Do not use a towel or other bulky cloth.
- DO NOT TOUCH SURFACE UNITS OR AREAS NEAR UNITS – Surface units may be hot even though they are dark in color. Areas near surface units may become hot enough to cause burns. During and after use, do not touch, or let clothing or other flammable materials contact surface units or areas near units until they have had sufficient time to cool. Among those areas are the cooktop and surfaces facing the cooktop.
- Use Proper Pan Size – This cooktop is equipped with one or more surface units of different size. Select utensils having flat bottoms large enough to cover the surface unit heating element. The use of undersized utensils will expose a portion of the heating element to direct contact and may result in ignition of clothing. Proper relationship of utensil to burner will also improve efficiency.

- Never Leave Surface Units Unattended at High Heat Settings – Boilover causes smoking and greasy spillovers that may ignite.
- Glazed Cooking Utensils – Only certain types of glass, glass/ceramic, ceramic, earthenware, or other glazed utensils are suitable for cooktop service without breaking due to the sudden change in temperature.
- Utensil Handles Should Be Turned Inward and Not Extend Over Adjacent Surface Units – To reduce the risk of burns, ignition of flammable materials, and spillage due to unintentional contact with the utensil, the handle of a utensil should be positioned so that it is turned inward, and does not extend over adjacent surface units.
- Do Not Cook on Broken Cooktop – If cooktop should break, cleaning solutions and spillovers may penetrate the broken cooktop and create a risk of electric shock. Contact a qualified technician immediately.
- Clean Cooktop With Caution – If a wet sponge or cloth is used to wipe spills on a hot cooking area, be careful to avoid steam burn. Some cleaners can produce noxious fumes if applied to a hot surface.

## For units with ventilating hood –

- Clean Ventilating Hoods Frequently – Grease should not be allowed to accumulate on hood or filter.
- When flaming foods under the hood, turn the fan on.

## For units with coil elements –

- Make Sure Reflector Pans or Drip Bowls Are in Place – Absence of these pans or bowls during cooking may subject wiring or components underneath to damage.
- Protective Liners – Do not use aluminum foil to line surface unit drip bowls, except as suggested in the manual. Improper installation of these liners may result in a risk of electric shock, or fire.
- Do Not Soak Removable Heating Elements - Heating elements should never be immersed in water.

# SAVE THESE INSTRUCTIONS

This induction cooktop generates and uses ISM frequency energy that heats cookware by using an electromagnetic field. It has been tested and complies with Part 18 of the FCC Rules for ISM equipment. This induction cooktop meets the FCC requirements to minimize interference with other devices in residential installation.

This induction cooktop may cause interference with television or radio reception. If interference occurs, the user should try to correct the interference by:

- Relocating the receiving antenna of the radio or television.
- Increasing the distance between the cooktop and the receiver.
- Connecting the receiver into a different outlet.

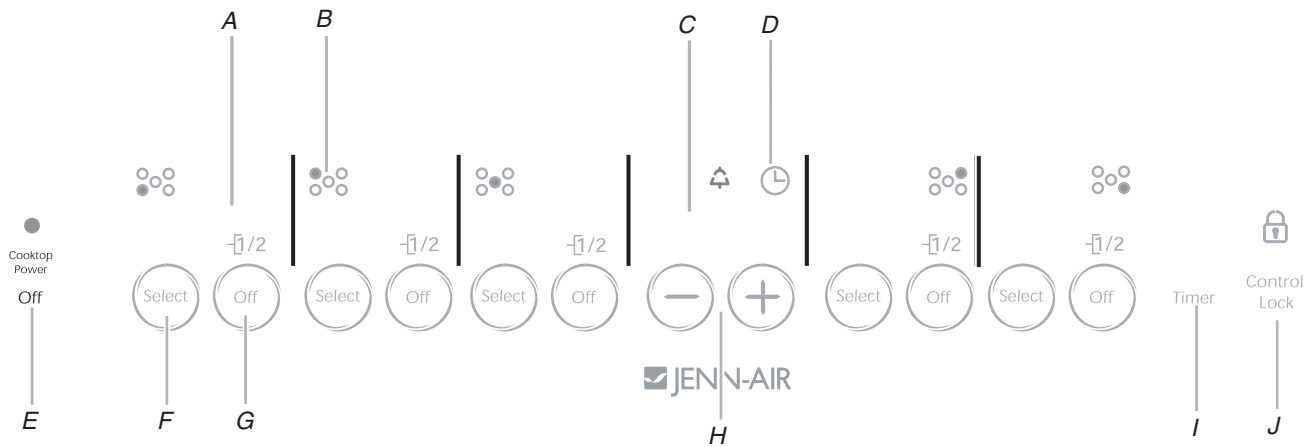
It is the user's responsibility to correct any interference.

**NOTE:** People with a pacemaker or similar medical device should use care when standing near this induction cooktop while it is on. The electromagnetic field may affect the pacemaker or similar device. Consult your doctor, or the manufacturer of the pacemaker or similar medical device for additional information about its effects with electromagnetic fields of the induction cooktop.

# COOKTOP USE

This manual covers different models. The cooktop you have purchased may have some or all of the features listed.

## 36" (91.4 cm) Touch-Activated Electronic Controls model shown



- A. Heat setting display
- B. Cooking surface area locator
- C. Timer display
- D. Timer indicator
- E. Cooktop power off

- F. Surface cooking area select
- G. Surface cooking area off
- H. Increase/decrease heat setting or timer
- I. Timer
- J. Control lock

## Induction Cooking

Induction cooking is quite different from traditional forms of cooking. The heat is generated directly in the pan, keeping the cooking surface cooler than a traditional element.

Induction cooking does not lose as much heat as traditional forms because all the heat is created in the pan itself.

The cooktop heats up or cools down quickly after the controls are set. It also stops heating when the pan is removed without turning off the power.

Food spilled on the cooktop surface will not burn because the glass is not heated. Induction cooking allows for immediate cleaning after use because the heat is created in the pan.

Pan size, material (see "Cookware" section), and positioning are very important to achieve maximum wattage.

The diameter of the pan's base should be equal to the size of the element.

If the pan is too small, the burner does not sense the pan and will not activate.

## Cooktop Controls

### WARNING



#### Fire Hazard

**Turn off all controls when done cooking.  
Failure to do so can result in death or fire.**

The touch-activated electronic controls offer a variety of heat settings for optimal cooking results. For maximum surface cooking area operation, all cooktop touch-activated electronic controls can be set to Performance boost function when bringing liquids to a fast and rapid boil. Set the surface cooking area heat setting level to 9, then touch the "plus" (+) key to immediately reach the highest setting.

**NOTE:** Where 240V installation is not available, this cooktop will automatically adjust to 208V operation.

## To Use:

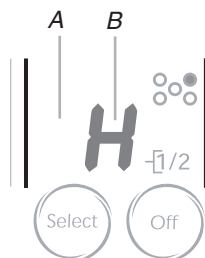
1. Touch SELECT to turn on desired cooking surface area.  
The heat setting level display flashes “0.”
2. Within 5 seconds, touch the “plus” (+) or “minus” (-) keys to increase or decrease power.
3. To select a heat setting from 1 - 9, touch either the “+” or “-” keys until the desired level appears in the display. If selection is not made within 5 seconds, the surface cooking area will shut off.  
The heat setting level is indicated by a number or a number with a decimal point after it. The decimal point is equal to the halfway point between settings. For example, “2.” would equal halfway between 2 and 3.
4. The heat setting level number will continue to flash until a suitable pan is placed on the surface cooking area. If the correct pan is not placed on the cooking area within 90 seconds, the surface cooking area will automatically turn off. See “Cookware” section for suitable cookware.
5. Touch OFF to turn off desired cooking area when finished. When “0” appears on the heat setting level display, the surface cooking area will turn off within 3 seconds. The hot surface indicator “H” appears in the display, if the surface is hot.

Use the following chart as a guide when setting heat levels.

SETTING	RECOMMENDED USE
<b>9 - Performance boost</b>	■ Bring liquid to a boil.
<b>9</b>	■ Start food cooking.
<b>7 - 8</b>	■ Quickly brown or sear food.
<b>6 - 7</b>	■ Hold a rapid boil.
<b>5 - 6</b>	■ Fry poultry or meat. ■ Cook soups, sauces and gravies.
<b>4 - 5</b>	■ Maintain a slow boil. ■ Stew or steam food.
<b>3 - 5</b>	■ Simmer
<b>1 - 2</b>	■ Melt chocolate or butter.
<b>Dual surface cooking area</b>	■ Home canning. ■ Large-diameter cookware.

## Hot Surface Indicator

An “H” will appear in the heat setting display as long as any surface cooking area is too hot to touch, even after the surface cooking area(s) is turned off.



A. Heat setting display  
B. Hot surface indicator “H”

If the cooktop is on when a power failure occurs, the Hot Surface Indicator “H” will remain on up to 45 minutes after the power is restored to the cooktop.

## Turning off display tones:

The display will cause a tone to sound when a key is touched. This setting can be turned off.

**NOTE:** If the following sequence is not completed within 90 seconds, the tones will not be deactivated.

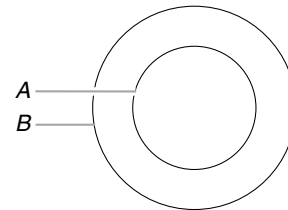
1. Set all surface cooking areas to temperature level 3.
2. Use the “-” key to set all surface cooking areas to temperature level 0, from right to left.
3. Touch and hold COOKTOP POWER OFF for 5 seconds, and a tone will sound to confirm the change.

To turn the display back on, repeat the steps above.

**NOTE:** The timer, control lock/unlock, and error tones will still sound even if the display tone is turned off.

## Dual Size Surface Cooking Area

The dual size surface cooking area offers flexibility to cook using different sizes of cookware. Single size can be used in the same way as a regular surface cooking area. The dual size combines inner and outer surface cooking areas and is recommended for larger cookware, large quantities of food, and home canning.



A. Single size  
B. Dual size

The dual size surface cooking area comprises two cooking areas. If the size of the pan is the same as the single size surface cooking area, the cooking area will work as a single size cooking area.

If the pan is slightly larger than the single size cooking area, it may only activate part of the dual size cooking area. This will result in the burner being less efficient and increase the heating time.

If the size of the pan is the same as the dual size surface cooking area, the dual size cooking area will activate automatically.

## Cooktop Power Off

The Cooktop Power Off key turns off all surface cooking areas at once.

Touch and hold COOKTOP POWER OFF until the indicator goes out. This turns off all the surface cooking areas. The hot surface indicator “H” stays on the display until the surface cooking areas have cooled down.

## Control Lock

The Control Lock turns off and disables all surface cooking areas that are in use at the same time.

The Control Lock avoids unintended use of the surface cooking areas. When the cooktop is locked out, the surface cooking areas cannot be turned on by the cooktop touch controls.

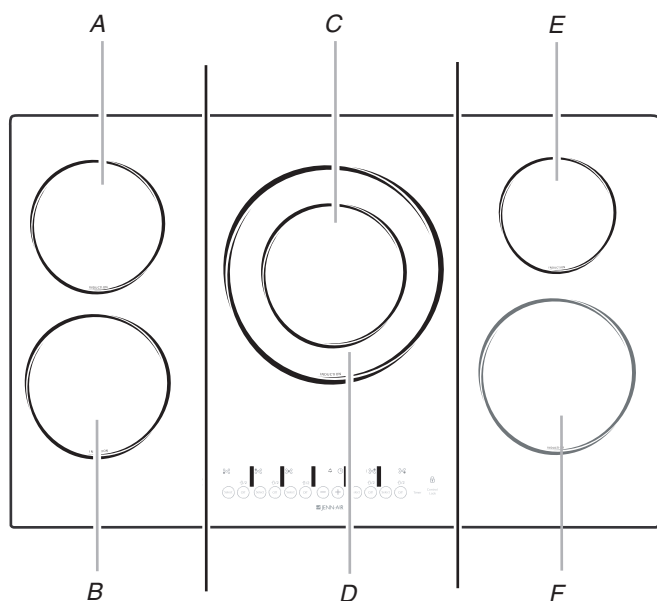
**To Lock Cooktop:** Touch and hold CONTROL LOCK for 5 seconds. After 5 seconds, CONTROL LOCK will glow red, indicating that the cooktop controls are in the lockout position.

**To Unlock Cooktop:** Touch and hold CONTROL LOCK for 5 seconds.

## Performance Boost Function

This function allows you to increase the heat setting level above the maximum heat setting 9 for 10 minutes or less.

**NOTE:** Performance boost function is not available on surface cooking area 4.



### Zone 1

- A. Surface cooking area 1
- B. Surface cooking area 2

### Zone 2

- C. Surface cooking area 3
- D. Surface cooking area 4

### Zone 3

- E. Surface cooking area 5
- F. Surface cooking area 6

### To Use for Zones 1 and 3:

When a surface cooking area is set to the Performance boost function no other surface cooking areas in that zone can be used. If you attempt to use another surface cooking area in the same zone, "P" and "9" will briefly flash in the display before returning to heat setting level 9. The surface cooking area that was set to the Performance boost function will automatically reset to heat setting level 9.

1. Touch SELECT to turn on desired surface cooking area.
2. Set the surface cooking area heat setting level to 9.
3. Touch the "+" key. "P" will appear in the display.
4. Touch SELECT and the "-" key when finished. The "P" will no longer be visible in the display, and the Performance boost function will no longer be active. The surface cooking area turns back to heat setting level 9.

### To Use for Zone 2:

The Performance boost function "P" can only be activated in surface cooking area 3. The pan size used must be smaller than the inner surface cooking area (3) circle.

1. Touch SELECT to turn on surface cooking area.
2. Set the surface cooking area heat setting level to 9.
3. Touch the "+" key. "P" will appear in the display.
4. Touch SELECT and the "-" key when finished. The "P" will no longer be visible in the display, and the Performance boost function will no longer be active. The surface cooking area turns back to heat setting level 9.

**NOTE:** The Performance boost function may automatically deactivate to keep the internal electronic components of the cooktop from becoming too hot.

## Timer

Use the cooking timer to set times up to 99 minutes. The timer is independent of any other control settings.

### To Use:

1. Touch TIMER. "00" flashes, and the timer icon lights up in the timer display.
2. Touch the "+" or "-" keys to set time.  
If you touch the "+" key, "10 minutes" appears in the display. If you touch the "-" key, "5 minutes" appears in the display.  
Touch the "+" key to increase the time in 1-minute increments.  
or  
Touch the "-" key to decrease the time in 1-minute increments.
3. The timer will start to count down after a few seconds.  
To change the time, touch the "Timer" key. When the timer display flashes, reset the time with the "+" or "-" keys.
4. When the countdown is finished, the timer beeps for 10 seconds. "00" and the timer icon flash in the timer display. Touch any key to stop.

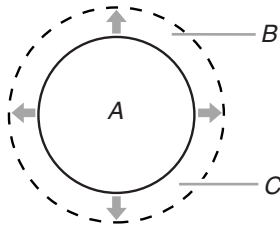
**NOTE:** When the power is restored after an outage, the timer will no longer be running.

---

## Ceramic Glass

Cleaning off the cooktop before and after each use will help keep it free from stains and provide the most even heating. For more information, see “General Cleaning” section.

- Avoid storing jars or cans above the cooktop. Dropping a heavy or hard object onto the cooktop could crack the cooktop.
- To avoid damage to the cooktop, do not leave a hot lid on the cooktop. As the cooktop cools, air can become trapped between the lid and the cooktop, and the ceramic glass could break when the lid is removed.
- For foods containing sugar in any form, clean up all spills and soils as soon as possible. Allow the cooktop to cool down slightly. Then, while wearing oven mitts, remove the spills while the surface is still warm. If sugary spills are allowed to cool down, they can adhere to the cooktop and can cause pitting and permanent marks.
- To avoid scratches, do not slide cookware or bakeware across the cooktop. Aluminum or copper bottoms and rough finishes on cookware or bakeware could leave scratches or marks on the cooktop.
- Do not allow objects that could melt, such as plastic or aluminum foil, to touch any part of the entire cooktop.
- To avoid damage to the cooktop, do not use the cooktop as a cutting board.
- Use cookware about the same size as the surface cooking area. Cookware should not extend more than ½" (1.3 cm) outside the area.



A. Surface cooking area  
B. Cookware/canner  
C. ½" (1.3 cm) Maximum overhang

- Use flat-bottomed cookware for best heat conduction and energy efficiency. Cookware with rounded, warped, ribbed or dented bottoms could cause uneven heating and poor cooking results.
- Determine flatness by placing the straight edge of a ruler across the bottom of the cookware. While you rotate the ruler, no space or light should be visible between it and the cookware.
- Make sure the bottoms of pots and pans are clean and dry before using them. Residue and water can leave deposits when heated.

---

## Home Canning

**IMPORTANT:** Aluminum canners or canners that are not completely flat on the bottom will not activate the cooking surface area. See “Cookware” section.

When canning for long periods, alternate the use of surface cooking areas between batches. This allows time for the most recently used areas to cool.

- Center the canner on the largest surface cooking area. Canners should not extend more than ½" (1.3 cm) beyond the surface cooking area.
- Do not place canner on 2 surface cooking areas at the same time.
- For more information, contact your local agricultural department. Companies that manufacture home canning products can also offer assistance.

---

## Cookware

Only ferromagnetic pans can be used for induction cooking.

**Ferromagnetic materials include:**

- Enameled steel
- Cast iron
- Stainless steel designed for induction cooking

**Non-ferromagnetic materials include:**

These types of pans will not work with induction cooking.

- Stainless steel
- Glass
- Ceramic
- Copper or aluminum pans

To find out whether your pans can be used with an induction cooktop, flip the pan over, hold a magnet to the bottom of the pan, and see whether it sticks.

The number on the surface cooking area heat setting display will flash if no pan is placed on the surface cooking area, or the pan is not made of the right material, or it is not the right size. It will stop flashing once a suitable pan is placed on the surface cooking area. If you take longer than 90 seconds to place the correct pan on the surface cooking area, the surface cooking area will turn off.

Ideal cookware should have a flat bottom, straight sides and a well-fitting lid, and the material should be of medium-to-heavy thickness.

Choose the correct pan size for each surface cooking area. The diameter of the pan's base should correspond to the size of the surface cooking area.

**NOTE:** Cookware manufacturers often give the diameter across the top of the pan. This is usually larger than the diameter of the base.

Pans with rough finishes may scratch the cooktop.



---

# COOKTOP CARE

---

## General Cleaning

**IMPORTANT:** Before cleaning, make sure all controls are off and the cooktop is cool. Always follow label instructions on cleaning products.

Soap, water and a soft cloth or sponge are suggested first unless otherwise noted.

---

### CERAMIC GLASS

---

To avoid damage, do not use steel wool, abrasive powder cleansers, chlorine bleach, rust remover or ammonia.

#### Cleaning Method:

Always wipe with a clean, wet cloth or sponge and dry thoroughly to avoid streaking and staining.

Cooktop Cleaner is recommended for regular use to help avoid scratches, pitting and abrasions, and to condition the cooktop. It may be ordered as an accessory. See “Assistance or Service” section to order.

A Cooktop Scraper is also recommended for stubborn soils, and can be ordered as an accessory. See “Assistance or Service” section to order. The Cooktop Scraper uses razor blades. **Store razor blades out of the reach of children.**

#### Light to moderate soil

- Paper towels or clean damp sponge:  
Clean while the cooktop is still warm. You may want to wear oven mitts while cleaning the cooktop.

#### Sugary spills (jellies, candy, syrup)

- Cooktop Scraper:  
Clean while the cooktop is still warm. You may want to wear oven mitts while cleaning the cooktop.

- Cooktop Cleaner and clean damp paper towel:  
Clean as soon as cooktop has cooled down. Rub creme into surface with a damp paper towel or soft cloth. Continue rubbing until white film disappears.

#### Heavy soil, dark streaks, specks and discoloration

- Cooktop Cleaner or nonabrasive cleanser:  
Rub product into soil with a damp paper towel or soft cloth. Continue rubbing until white film disappears.

#### Burned-on soil

- Cooktop Cleaner and Cooktop Scraper:  
Rub creme into soil with damp paper towel. Hold scraper as flat as possible on surface and scrape. Repeat for stubborn spots. Polish entire cooktop with creme and paper towel.

#### Metal marks from aluminum and copper

- Cooktop Cleaner:  
Clean as soon as cooktop has cooled down. Rub creme into surface with a damp paper towel or soft cloth. Continue rubbing until white film disappears. The marks will not totally disappear but after many cleanings become less noticeable.

#### Tiny scratches and abrasions

- Cooktop Cleaner:  
Rub creme into surface with a damp paper towel or soft cloth. Continue rubbing until white film disappears. Scratches and abrasions do not affect cooking performance and after many cleanings become less noticeable.

---

# TROUBLESHOOTING

Try the solutions suggested here first in order to avoid the cost of an unnecessary service call.

---

### Nothing will operate

---

- **Is the cooktop wired properly?** See the Installation Instructions for more information.
- **Has a household fuse blown, or has a circuit breaker tripped?** Replace the fuse or reset the circuit breaker. If the problem continues, call an electrician.

---

### Cooktop will not operate

---

- **Is the cooktop control set correctly?** Touch SELECT before selecting a setting.
- **Is the “Control Lock” Cooktop Lockout set?** See “Control Lock” section.
- **Has the cooktop turned off by itself?** The power off key was unintentionally touched. Press power key again. Reset the cooktop.

---

### Excessive heat around cookware on cooktop

---

- **Is the cookware the proper size?** Use cookware about the same size as the surface cooking area. Cookware should not extend more than ½" (1.3 cm) outside the cooking area.

---

### Cooktop cooking results not what expected

---

- **Is the proper cookware being used?** See “Cookware” section.
- **Is the cooktop control set to the proper heat level?** See “Cooktop Controls” section.
- **Is the appliance level?** Level the appliance. See the Installation Instructions.

---

## Display shows messages

---

- **Is “E” flashing on the surface cooking area display?** Thoroughly wipe or remove any object on touch keys. When finished cleaning, touch the correct key. The flashing should stop.
- **Is “E” flashing on all the surface cooking area displays with a signal beeping?** The main switch has been kept on for more than 5 seconds. Wipe up any soil on the touch keys. Remove any objects on the touch keys. Reset the cooktop.
- **Is the display flashing when you place a saucepan on an induction surface cooking area?** Check that the saucepan is electromagnetic. Check that the diameter of the saucepan is large enough. Center the saucepan on the surface cooking area. Allow the saucepan to cool down in the event that it has become hot when used. Switch the surface cooking area off, then on again. If the display still does not light up, turn power off at the circuit breaker. Wait 20 seconds and turn power back on.
- **Is the Performance boost function display flashing and switching off?** The Performance boost function operates the surface cooking area with the most power. During long cooking times, it is possible that the function will switch the surface cooking area off to protect the cooktop from overheating. You can continue to use the cooktop if the display is not flashing.
- **Is the display flashing “Er” and numbers?** If an “Er” and a series of numbers appear in the display panel, turn power off at the circuit breaker. Turn on again, if problem continues call customer service. See “Assistance or Service” section.
- **Is the display flashing “F” and numbers?** If “F” and a number are alternately flashing on the display, refer to the following table for possible solutions.

---

Error Code	Error	Solution
F0	An internal error was detected.	Disconnect power. Wait 5 seconds before reconnecting power. If the symbol appears again, call customer service.
F2	The surface cooking area is too hot and has turned off.	Remove the pans from the surface cooking area. “F2” will disappear when the surface cooking area has cooled down. If you turn the surface cooking area back on and “F2” reappears, the cooktop is still too hot. Turn off the surface cooking area and allow it to cool.
F4	The pot or pan is too close to the control panel.	Make sure the pot or pan is centered on the surface cooking area and nothing hot is on the touch control panel. Wait 5 minutes for control panel to cool. If “F4” appears after turning the surface cooking area back on, call customer service.
F8	The surface cooking area has been in operation for too long.	The surface cooking area automatic shutoff was activated. Turn off the surface cooking area.
c1	The power voltage is too low.	Turn off the cooktop. Wait 5 seconds, then turn it back on. If this continues, contact a qualified electrician.
c2/c3	The surface cooking area has overheated.	The surface cooking area automatic shutoff was activated. Wait 5 minutes, for it to cool down, then turn it back on.

---

## Operational cooktop sounds

---

- **Is there a low humming?** This occurs when cooking at high power. The cause of this is the amount of energy which is transmitted from the appliance to the cookware. This sound will quiet or go away when the power is turned down.
- **Is there a crackling?** This sound occurs when cookware is used which consists of different materials. The noise is caused by vibrations in the joint faces between the different layers. It may change depending on the amount and type of food being cooked.
- **Is there a fan noise?** The electronics require a controlled temperature in order to function reliably. The cooktop is fitted with a fan which runs at various speeds according to the temperature detected. The fan may also continue to run even after the cooktop has been switched off, if the temperature it detects is too high.

---

# ASSISTANCE OR SERVICE

---

Before calling for assistance or service, please check “Troubleshooting.” It may save you the cost of a service call. If you still need help, follow the instructions below.

When calling, please know the purchase date and the complete model and serial number of your appliance. This information will help us to better respond to your request.

---

## In the U.S.A.

### If the problem is not due to one of the items listed in the “Troubleshooting” section...

Call the dealer from whom your appliance was purchased, or call Jenn-Air at **1-800-JENNAIR (1-800-536-6247)** to locate an authorized service company. When calling, please know the purchase date and the complete model and serial number of your appliance. Be sure to retain proof of purchase to verify warranty status.

If the dealer or service company cannot resolve your problem, write to:

**Jenn-Air Brand Home Appliances  
Customer eXperience Center  
553 Benson Road  
Benton Harbor, MI 49022-2692  
Web address: [www.jennair.com](http://www.jennair.com)**

Or call: **1-800-JENNAIR (1-800-536-6247)**.

U.S. customers using TTY for deaf, hearing impaired or speech impaired, call: **1-800-688-2080** (Monday - Friday, 8:00 a.m. - 8:00 p.m. Eastern Time).

**NOTE:** When writing or calling about a service problem, please include the following information:

1. Your name, address and daytime telephone number.
2. Appliance model number and serial number.
3. Name and address of your dealer or servicer.
4. A clear description of the problem you are having.
5. Proof of purchase (sales receipt).

User's guides, service manuals and parts information are available from Jenn-Air Brand Home Appliances, Customer eXperience Center.

---

## Accessories

### Cooktop Cleaner

(ceramic glass models)

Order Part Number 31464

### Cooktop Protectant

(ceramic glass models)

Order Part Number 31463

### Cooktop Scraper

(ceramic glass models)

Order Part Number WA906B

### All-Purpose Appliance Cleaner

Order Part Number 31662

---

## In Canada

### If the problem is not due to one of the items listed in the “Troubleshooting” section...

Call the dealer from whom your appliance was purchased, or call Jenn-Air at **1-800-807-6777** to locate an authorized service company. When calling, please know the purchase date and the complete model and serial number of your appliance. Be sure to retain proof of purchase to verify warranty status.

If the dealer or service company cannot resolve your problem, write to:

**Jenn-Air Brand Home Appliances  
Customer Interaction Centre  
1901 Minnesota Court  
Mississauga, ON L5N 3A7  
Web address: [www.jennair.ca](http://www.jennair.ca)**

Or call: **1-800-807-6777**.

**NOTE:** When writing or calling about a service problem, please include the following information:

1. Your name, address and daytime telephone number.
2. Appliance model number and serial number.
3. Name and address of your dealer or servicer.
4. A clear description of the problem you are having.
5. Proof of purchase (sales receipt).

User's guides, service manuals and parts information are available from Jenn-Air Brand Home Appliances, Customer Interaction Centre.

---

# JENN-AIR® COOKING APPLIANCE WARRANTY

---

## ONE YEAR LIMITED WARRANTY

For one year from the date of purchase, when this major appliance is operated and maintained according to instructions attached to or furnished with the product, Jenn-Air brand of Maytag Corporation or Maytag Limited (hereafter "Jenn-Air") will pay for factory specified replacement parts and repair labor to correct defects in materials or workmanship. Service must be provided by a Jenn-Air designated service company. This limited warranty applies only when the major appliance is used in the country in which it is purchased.

---

## SECOND THROUGH FIFTH YEAR LIMITED WARRANTY ON CERTAIN COMPONENT PARTS

In the second through fifth years from the date of purchase, when this appliance is operated and maintained according to instructions attached to or furnished with the product, Jenn-Air will pay for factory specified parts for the following components (if applicable to the product) if defective in materials or workmanship:

- Electric element
  - Touch Pad and microprocessor
  - Glass ceramic cooktop: if due to thermal breakage
  - Electronic controls
  - Magnetron tube
  - Sealed gas burners
- 

## ITEMS JENN-AIR WILL NOT PAY FOR

1. Service calls to correct the installation of your major appliance, to instruct you how to use your major appliance, to replace or repair house fuses or to correct house wiring or plumbing.
  2. Service calls to repair or replace appliance light bulbs, air filters or water filters. Those consumable parts are excluded from warranty coverage.
  3. Repairs when your major appliance is used for other than normal, single-family household use.
  4. Damage resulting from accident, alteration, misuse, abuse, fire, flood, acts of God, improper installation, installation not in accordance with electrical or plumbing codes, or use of products not approved by Jenn-Air.
  5. Replacement parts or repair labor costs for units operated outside the United States or Canada.
  6. Pickup and delivery. This major appliance is designed to be repaired in the home.
  7. Repairs to parts or systems resulting from unauthorized modifications made to the appliance.
  8. Expenses for travel and transportation for product service in remote locations.
  9. The removal and reinstallation of your appliance if it is installed in an inaccessible location or is not installed in accordance with published installation instructions.
  10. Replacement parts or repair labor costs when the major appliance is used in a country other than the country in which it was purchased.
- 

## DISCLAIMER OF IMPLIED WARRANTIES; LIMITATION OF REMEDIES

CUSTOMER'S SOLE AND EXCLUSIVE REMEDY UNDER THIS LIMITED WARRANTY SHALL BE PRODUCT REPAIR AS PROVIDED HEREIN. IMPLIED WARRANTIES, INCLUDING WARRANTIES OF MERCHANTABILITY OR FITNESS FOR A PARTICULAR PURPOSE, ARE LIMITED TO ONE YEAR OR THE SHORTEST PERIOD ALLOWED BY LAW. JENN-AIR SHALL NOT BE LIABLE FOR INCIDENTAL OR CONSEQUENTIAL DAMAGES. SOME STATES AND PROVINCES DO NOT ALLOW THE EXCLUSION OR LIMITATION OF INCIDENTAL OR CONSEQUENTIAL DAMAGES, OR LIMITATIONS ON THE DURATION OF IMPLIED WARRANTIES OF MERCHANTABILITY OR FITNESS, SO THESE EXCLUSIONS OR LIMITATIONS MAY NOT APPLY TO YOU. THIS WARRANTY GIVES YOU SPECIFIC LEGAL RIGHTS AND YOU MAY ALSO HAVE OTHER RIGHTS, WHICH VARY FROM STATE TO STATE OR PROVINCE TO PROVINCE.

---

Outside the 50 United States and Canada, this warranty does not apply. Contact your authorized Jenn-Air dealer to determine if another warranty applies.

If you need service, first see the "Troubleshooting" section of the Use & Care Guide. After checking "Troubleshooting," additional help can be found by checking the "Assistance or Service" section or by calling Jenn-Air. In the U.S.A., call **1-800-JENNAIR (1-800-536-6247)**. In Canada, call **1-800-807-6777**.

6/07

---

**Keep this book and your sales slip together for future reference. You must provide proof of purchase or installation date for in-warranty service.**

Write down the following information about your major appliance to better help you obtain assistance or service if you ever need it. You will need to know your complete model number and serial number. You can find this information on the model and serial number label located on the product.

Dealer name \_\_\_\_\_  
Address \_\_\_\_\_  
Phone number \_\_\_\_\_  
Model number \_\_\_\_\_  
Serial number \_\_\_\_\_  
Purchase date \_\_\_\_\_

# SÉCURITÉ DE LA TABLE DE CUISSON

## Votre sécurité et celle des autres est très importante.

Nous donnons de nombreux messages de sécurité importants dans ce manuel et sur votre appareil ménager. Assurez-vous de toujours lire tous les messages de sécurité et de vous y conformer.



Voici le symbole d'alerte de sécurité.

Ce symbole d'alerte de sécurité vous signale les dangers potentiels de décès et de blessures graves à vous et à d'autres.

Tous les messages de sécurité suivront le symbole d'alerte de sécurité et le mot "DANGER" ou "AVERTISSEMENT". Ces mots signifient :

**⚠ DANGER**

**Risque possible de décès ou de blessure grave si vous ne suivez pas immédiatement les instructions.**

**⚠ AVERTISSEMENT**

**Risque possible de décès ou de blessure grave si vous ne suivez pas les instructions.**

Tous les messages de sécurité vous diront quel est le danger potentiel et vous disent comment réduire le risque de blessure et ce qui peut se produire en cas de non-respect des instructions.

# IMPORTANTES INSTRUCTIONS DE SÉCURITÉ

**AVERTISSEMENT** : Pour réduire le risque d'incendie, de choc électrique, de blessures ou de dommages lors de l'utilisation de la table de cuisson, observer les précautions élémentaires suivantes, y compris ce qui suit :

- **MISE EN GARDE** : Ne pas remiser dans les armoires au-dessus d'une table de cuisson, des articles que des enfants pourraient vouloir atteindre. Les enfants pourraient se brûler ou se blesser en grim pant sur la table de cuisson.
- Installation appropriée – S'assurer que la table de cuisson est correctement installée et reliée à la terre par un technicien qualifié.
- Ne jamais utiliser la table de cuisson pour réchauffer ou chauffer la pièce.
- Ne pas laisser les enfants seuls – Les enfants ne doivent pas être laissés seuls ou sans surveillance dans la pièce où la table de cuisson est en service. Ne jamais laisser les enfants s'asseoir ou se tenir sur une partie quelconque de la table de cuisson.
- Porter des vêtements appropriés – Des vêtements amples ou détachés ne doivent jamais être portés pendant l'utilisation de la table de cuisson.
- Entretien par l'utilisateur – Ne pas réparer ou remplacer toute pièce de la table de cuisson si ce n'est pas spécifiquement recommandé dans le manuel. Toute autre opération d'entretien ou de réparation doit être confiée à un technicien qualifié.
- Remisage sur la table de cuisson – Des matériaux inflammables ne doivent pas être remisés près des éléments à la surface.
- Ne pas utiliser d'eau sur un feu de graisse – Éteuffer le feu ou la flamme ou utiliser un extincteur à produits chimiques secs ou à mousse.
- N'utiliser que des mitaines de four sèches – Des mitaines de four mouillées ou humides sur des surfaces chaudes peuvent provoquer des brûlures provenant de la vapeur. Ne pas laisser les mitaines de four toucher les éléments chauffants. Ne pas utiliser une serviette ou autre tissu épais.
- **NE PAS TOUCHER LES ÉLÉMENTS À LA SURFACE OU L'ESPACE PRÈS DES ÉLÉMENTS** – Les éléments de surface peuvent être chauds même lorsqu'ils ont une teinte foncée. Les endroits près des éléments à la surface peuvent devenir assez chauds pour provoquer des brûlures. Pendant et après l'utilisation, ne pas toucher les éléments chauffants et ne pas laisser les vêtements ou autres matériaux inflammables entrer en contact avec ces éléments de surface ou les endroits près des éléments, avant qu'ils soient suffisamment refroidis. Ces endroits comprennent la table de cuisson et les surfaces près de la table de la cuisson.

- Utiliser des ustensiles de format approprié – La table de cuisson est munie d'un ou de plusieurs éléments chauffants de différentes grandeurs. Choisir les ustensiles qui ont un fond plat assez grand pour couvrir l'élément chauffant de la surface de cuisson. L'utilisation d'ustensiles trop petits exposera une partie de l'élément chauffant, ce qui peut provoquer l'inflammation des vêtements. L'utilisation d'un récipient de format correct améliore l'efficacité de la cuisson.
- Ne jamais laisser les éléments de la table de cuisson sans surveillance alors qu'ils chauffent à la puissance maximale – Il pourrait en résulter une ébullition qui cause de la fumée et des renversements de corps gras qui peuvent s'enflammer.
- Ustensiles de cuisson vitrifiés – Seulement certains types d'ustensiles de verre, vitrocéramique, céramique, faïence ou autres surfaces vitrifiées conviennent pour le service sur une table de cuisson, sans bris attribuables aux changements soudains de température.
- Les poignées des ustensiles doivent être tournées vers l'intérieur et non vers le dessus des éléments adjacents – Pour réduire les risques de brûlures, d'inflammation de produits combustibles et de renversements dus à l'entrechoquement non intentionnel des ustensiles, la poignée d'un ustensile doit être positionnée de sorte qu'elle est tournée vers l'intérieur et non au-dessus des éléments de surface adjacents.
- Ne pas faire cuire sur une table de cuisson endommagée – Si la table de cuisson est brisée, les solutions de nettoyage et les renversements peuvent pénétrer dans la table brisée et créer le risque d'un choc électrique. Contacter immédiatement un technicien qualifié.
- Nettoyer la table de cuisson avec prudence – Si une éponge ou un chiffon mouillé est utilisé pour essuyer les renversements sur une surface de cuisson chaude, éviter les brûlures causées par la vapeur chaude. Certains nettoyants peuvent produire des émanations désagréables lorsqu'ils sont utilisés sur une surface chaude.

## **Pour les appareils avec hotte de ventilation –**

- Nettoyer les hottes de ventilation fréquemment – La graisse ne doit pas s'accumuler sur la hotte ou le filtre.
- Lorsque vous flambez des aliments sous la hotte, mettre le ventilateur en marche.

## **Pour les appareils à éléments en spirale –**

- S'assurer que les cuvettes de propreté sont en place – L'absence de ces cuvettes au cours de la cuisson peut causer des dommages aux fils ou aux composants en dessous des éléments.
- Garnissages protecteurs – Ne pas recouvrir les cuvettes de papier d'aluminium sauf tel que suggéré dans le manuel. L'installation incorrecte de papier d'aluminium ou autre matériau peut causer un risque de choc électrique ou d'incendie.
- Ne pas tremper les éléments de chauffage amovibles – Les éléments de chauffage ne doivent jamais être immergés dans l'eau.

**CONSERVEZ CES INSTRUCTIONS**

Cette table de cuisson à induction génère et utilise une énergie de fréquence ISM qui chauffe l'ustensile de cuisson à l'aide d'un champ électromagnétique. Elle a été testée et déclarée conforme à la section 18 du règlement FCC pour l'équipement ISM. Cette table de cuisson à induction satisfait aux exigences du règlement FCC pour la minimisation des interférences avec d'autres dispositifs résidentiels.

Cette table de cuisson à induction peut causer des interférences pour la réception de la télévision et de la radio. En cas d'interférence, l'utilisateur doit essayer d'y remédier en prenant une ou plusieurs des mesures suivantes :

Changer l'orientation de l'antenne de réception de la radio ou de la télévision.

Éloigner la table de cuisson du récepteur.

Brancher le récepteur dans une prise différente.

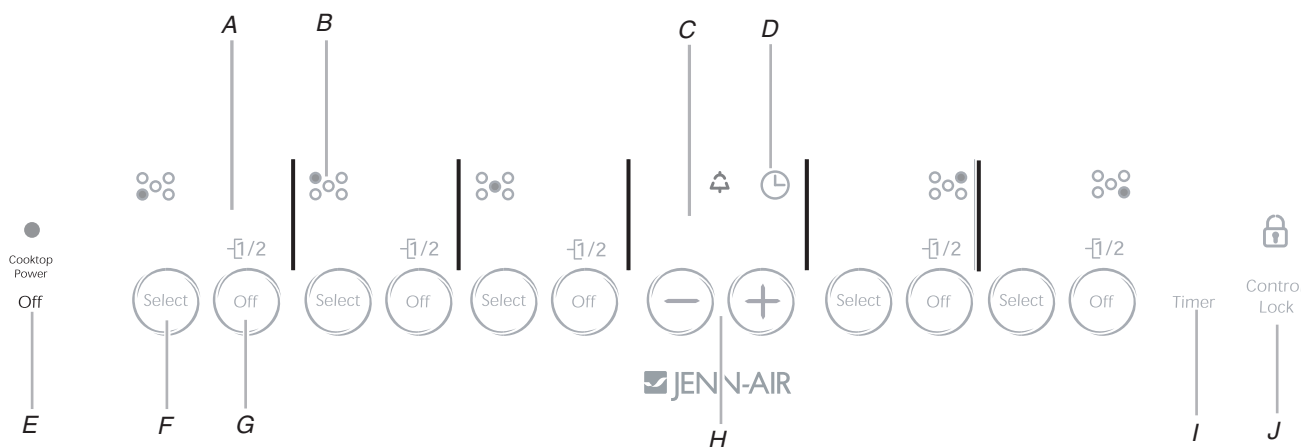
Il incombe à l'utilisateur de corriger toute interférence.

**REMARQUE :** Les personnes utilisant un pacemaker ou un dispositif médical similaire doivent prendre leurs précautions lorsqu'elles se trouvent à proximité d'une table de cuisson à induction allumée. Le champ électromagnétique peut affecter le fonctionnement du pacemaker ou de tout dispositif similaire. Consultez votre médecin ou le fabricant du pacemaker ou du dispositif médical pour obtenir des informations supplémentaires à propos de ses effets en présence de champs magnétiques émis par la table de cuisson à induction.

## UTILISATION DE LA TABLE DE CUISSON

Ce manuel couvre différents modèles. La table de cuisson que vous avez achetée peut comporter toutes les caractéristiques énumérées ou seulement certaines d'entre elles.

### Modèle à commande électronique tactile de 36" (91,4 cm) illustré



A. Afficheur du réglage de chaleur

B. Repère de la surface de cuisson

C. Afficheur de la minuterie

D. Indicateur de minuterie

E. Mise hors tension de la table de cuisson

F. Sélection de la surface de cuisson

G. Mise hors tension de la surface de cuisson

H. Augmentation/diminution du réglage de chaleur ou de la minuterie

I. Minuterie

J. Verrouillage des commandes

### Cuisson par induction

La cuisson par induction est très différente des formes de cuisson traditionnelles. La chaleur est générée directement dans l'ustensile de cuisson; la surface de cuisson demeure plus froide qu'un élément traditionnel.

Avec la cuisson par induction, il y a une moindre déperdition de chaleur qu'avec les formes de cuisson traditionnelles du fait que la chaleur est générée dans l'ustensile lui-même.

La table de cuisson chauffe ou se refroidit rapidement après le réglage des commandes. Elle cesse également de chauffer lorsqu'on retire l'ustensile sans avoir à éteindre l'appareil.

Les aliments renversés sur la surface de la table de cuisson ne brûlent pas car le verre n'est pas chauffé. La cuisson par induction permet un nettoyage immédiat après utilisation car la chaleur est générée dans l'ustensile.

La taille, le matériau (voir la section "Ustensiles de cuisson") et le positionnement de l'ustensile sont très importants pour atteindre la puissance maximale.

Le diamètre de la base de l'ustensile doit être identique à la taille de l'élément.

Si l'ustensile est trop petit, le brûleur ne le détecte pas et reste éteint.

## Commandes de la table de cuisson

### **⚠ AVERTISSEMENT**



#### Risque d'incendie

**Fermer tous les réglages lorsque la cuisson est terminée.**

**Le non-respect de cette instruction peut causer un décès ou un incendie.**

Les commandes électroniques tactiles offrent une grande variété de réglages de chaleur pour des résultats de cuisson optimaux. Pour un fonctionnement maximal de la surface de cuisson, toutes les commandes tactiles de la table de cuisson peuvent être réglées à la fonction Performance Boost (supplément de puissance) pour porter un liquide à ébullition rapidement. Régler la surface de cuisson sur 9, puis appuyer sur la touche "plus" (+) pour atteindre immédiatement le réglage le plus élevé.

**REMARQUE :** Lorsque l'installation à 240 V est indisponible, la table de cuisson s'ajuste automatiquement pour une alimentation avec 208 V.

#### Utilisation :

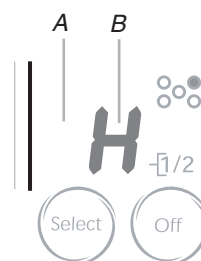
- Appuyer sur SELECT (sélection) pour allumer la surface de cuisson désirée.  
"0" clignote sur l'afficheur du réglage de chaleur.
- Dans les 5 secondes, appuyer sur la touche "plus" (+) ou "moins" (-) pour augmenter ou diminuer la puissance.
- Pour sélectionner un réglage de chaleur de 1 à 9, appuyer sur la touche "+" ou "-" jusqu'à ce que la puissance désirée s'affiche. Si la sélection n'est pas effectuée dans les 5 secondes, la surface de cuisson s'éteint.  
Le réglage de chaleur est indiqué par un chiffre ou par un chiffre avec un point. Le point correspond à un réglage intermédiaire. Par exemple, "2." correspond à un réglage intermédiaire entre 2 et 3.
- Le chiffre du réglage de chaleur continue à clignoter jusqu'à ce qu'un ustensile de cuisson approprié soit placé sur la surface de cuisson. À défaut d'avoir placé un ustensile de cuisson approprié sur la surface de cuisson dans les 90 secondes, la surface de cuisson s'éteint automatiquement. Voir la section "Ustensiles de cuisson" pour des informations sur les ustensiles de cuisson appropriés.
- Appuyer sur OFF (arrêt) pour éteindre la surface de cuisson désirée lorsque la cuisson est terminée. Lorsque "0" apparaît sur l'afficheur du réglage de chaleur, la surface de cuisson s'éteint dans les 3 secondes. L'indicateur de surface chaude "H" apparaît sur l'afficheur si la surface est chaude.

Utiliser le tableau suivant comme guide lors du réglage des niveaux de chaleur.

RÉGLAGE	UTILISATION RECOMMANDÉE
<b>9 - Performance Boost (supplément de puissance)</b>	■ Pour porter un liquide à ébullition.
9	■ Pour commencer la cuisson des aliments.
7 - 8	■ Pour brunir ou saisir rapidement les aliments.
6 - 7	■ Pour maintenir une ébullition rapide.
5 - 6	■ Pour faire frire la volaille ou la viande. ■ Pour faire cuire les soupes et les sauces.
4 - 5	■ Pour maintenir une ébullition lente. ■ Pour faire mijoter ou étuver les aliments.
3 - 5	■ Mijotage
1 - 2	■ Pour faire fondre le chocolat ou le beurre.
<b>Surface de cuisson double</b>	■ Préparation de conserves maison. ■ Ustensile de cuisson à grand diamètre.

#### Indicateur de surface chaude

Un "H" apparaît sur l'afficheur du réglage de chaleur tant qu'une surface de cuisson est trop chaude pour être touchée, même une fois que la surface est éteinte.



A. Afficheur du réglage de chaleur  
B. Indicateur de surface chaude "H"

Si une panne de courant survient alors que la table de cuisson est allumée, le témoin de surface chaude "H" reste allumé jusqu'à 45 minutes après le rétablissement de l'alimentation électrique à la table de cuisson.



## Désactivation des signaux sonores de l'afficheur :

L'afficheur émet un signal sonore lorsqu'on appuie sur une touche. Ce réglage peut être désactivé.

**REMARQUE :** À défaut d'exécuter la séquence suivante dans les 90 secondes, les signaux sonores ne seront pas désactivés.

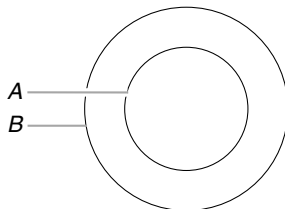
1. Régler toutes les surfaces de cuisson au niveau de température 3.
2. Utiliser la touche "-" pour régler toutes les surfaces de cuisson au niveau de température 0, de droite à gauche.
3. Appuyer sur COOKTOP POWER OFF (mise hors tension de la table de cuisson) pendant 5 secondes; un signal sonore est émis pour confirmer la modification.

Pour réactiver le signal sonore, répéter les étapes précédentes.

**REMARQUE :** La minuterie et l'avertissement continueront à émettre un signal sonore même si les signaux sonores de l'afficheur ont été désactivés.

## Surface de cuisson à dimension double

La surface de cuisson à dimension double offre une flexibilité qui permet d'utiliser des ustensiles de cuisson de différentes tailles. La dimension simple peut être utilisée de la même manière qu'une surface de cuisson ordinaire. La dimension double combine les surfaces de cuisson interne et externe; elle est recommandée pour les ustensiles de cuisson de plus grande dimension, les grandes quantités d'aliments et pour la préparation de conserves maison.



A. Dimension simple  
B. Dimension double

La surface de cuisson à dimension double comprend deux zones de cuisson.

Si la taille de l'ustensile est identique à celle de la surface de cuisson à dimension simple, la surface de cuisson fonctionne comme une surface de cuisson à dimension simple.

Si la taille de l'ustensile est légèrement plus grande que la surface de cuisson à dimension simple, il se peut que seule une partie de la surface de cuisson à dimension double s'allume. Le brûleur sera alors moins efficace et la durée de chauffage sera prolongée.

Si la taille de l'ustensile est identique à celle de la surface de cuisson à dimension double, la surface de cuisson à dimension double s'active automatiquement.

## Mise hors tension de la table de cuisson

La touche Cooktop Power Off (mise hors tension de la table de cuisson) éteint toutes les surfaces de cuisson en même temps.

Appuyer sur COOKTOP POWER OFF jusqu'à ce que l'indicateur disparaisse. Ceci éteint toutes les surfaces de cuisson.

L'indicateur de surface chaude "H" reste affiché jusqu'à ce que les surfaces de cuisson aient refroidi.

## Verrouillage des commandes

La fonction Control Lock (verrouillage des commandes) éteint et désactive en même temps toutes les surfaces de cuisson utilisées.

Le verrouillage des commandes empêche l'utilisation involontaire des surfaces de cuisson. Lorsque la table de cuisson est verrouillée, les surfaces de cuisson ne peuvent pas être allumées au moyen des commandes tactiles de la table de cuisson.

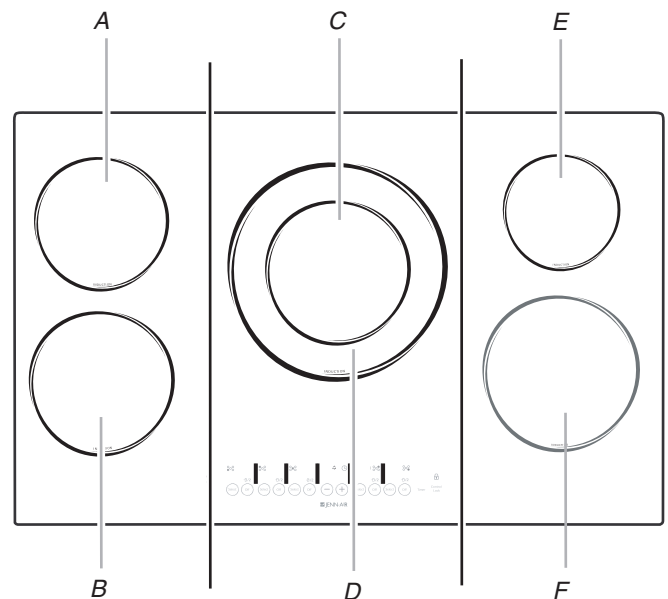
**Pour verrouiller la table de cuisson :** Appuyer sur CONTROL LOCK pendant 5 secondes. Au bout de 5 secondes, CONTROL LOCK s'allume en rouge, indiquant que les commandes de la table de cuisson sont en position verrouillée.

**Pour déverrouiller la table de cuisson :** Appuyer sur CONTROL LOCK pendant 5 secondes.

## Fonction Performance boost

Cette fonction vous permet d'augmenter le niveau de température au-delà du réglage de chaleur maximum 9 pendant 10 minutes ou moins.

**REMARQUE :** La fonction Performance Boost n'est pas disponible sur la surface de cuisson 4.



Zone 1

A. Surface de cuisson 1  
B. Surface de cuisson 2

Zone 2

C. Surface de cuisson 3  
D. Surface de cuisson 4

Zone 3

E. Surface de cuisson 5  
F. Surface de cuisson 6

### Utilisation pour les zones 1 et 3 :

Lorsqu'une surface de cuisson est réglée pour utilisation de la fonction Performance boost, aucune autre surface de cuisson dans cette zone ne peut être utilisée. Lorsqu'on essaie d'utiliser une autre surface de cuisson dans la même zone, "P" et "G" clignotent brièvement sur l'afficheur avant de revenir au réglage de chaleur 9. La surface de cuisson qui avait été réglée à la fonction Performance boost revient automatiquement au réglage de chaleur 9.

1. Appuyer sur SELECT (sélection) pour allumer la surface de cuisson désirée.
2. Régler la surface de cuisson au réglage de chaleur 9.
3. Appuyer sur la touche "+". "P" apparaît sur l'afficheur.
4. Appuyer sur SELECT et sur la touche "-" lorsque la cuisson est terminée. Le "P" n'est plus visible sur l'afficheur et la fonction Performance boost est désactivée. La surface de cuisson revient au réglage de chaleur 9.

### Utilisation pour la zone 2 :

La fonction Performance boost "P" ne peut être activée que sur la surface de cuisson 3. La taille de l'ustensile de cuisson utilisé doit être inférieure au cercle interne de la surface de cuisson (3).

1. Appuyer sur SELECT (sélection) pour allumer la surface de cuisson.
2. Régler la surface de cuisson au réglage de chaleur 9.
3. Appuyer sur la touche "+". "P" apparaît sur l'afficheur.
4. Appuyer sur SELECT et sur la touche "-" lorsque la cuisson est terminée. Le "P" n'est plus visible sur l'afficheur et la fonction Performance boost est désactivée. La surface de cuisson revient au réglage de chaleur 9.

**REMARQUE :** La fonction Performance boost peut se désactiver automatiquement pour empêcher les composants électroniques internes de la table de cuisson de chauffer excessivement.

## Minuterie

Utiliser la minuterie pour régler des durées jusqu'à 99 minutes. La minuterie est indépendante de tout autre réglage de commande.

### Utilisation :

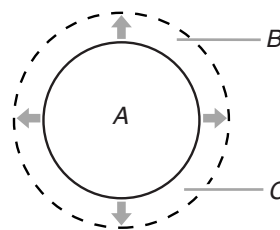
1. Appuyer sur TIMER (minuterie). "00" clignote et l'icône de la minuterie s'allume sur l'afficheur de la minuterie.
2. Appuyer sur les touches "+" ou "-" pour régler la durée.  
Si on appuie sur la touche "+", "10 minutes" s'affiche.  
Si on appuie sur la touche "-", "5 minutes" s'affiche.  
Appuyer sur la touche "+" pour augmenter la durée par tranches de une minute.  
ou  
Appuyer sur la touche "-" pour diminuer la durée par tranches de une minute.
3. La minuterie se met en marche pour le compte à rebours après quelques secondes.  
Pour modifier la durée, appuyer sur la touche "Timer".  
Lorsque l'afficheur de la minuterie clignote, régler à nouveau la durée avec les touches "+" ou "-".
4. Lorsque le compte à rebours est terminé, la minuterie émet un bip pendant 10 secondes. "00" et l'icône de la minuterie clignotent sur l'afficheur de la minuterie. Appuyer sur n'importe quelle touche pour arrêter.

**REMARQUE :** Lorsque l'alimentation est rétablie après une panne de courant, la minuterie ne se remet pas en marche.

## Vitrocéramique

Le nettoyage de la table de cuisson avant et après chaque utilisation évitera les taches et donnera une chaleur plus uniforme. Pour plus de renseignements, voir la section "Nettoyage général".

- Éviter de remiser des bocaux ou des boîtes de conserve au-dessus de la table de cuisson. La chute d'un objet lourd ou dur sur la table de cuisson pourrait la fissurer.
- Pour éviter d'endommager la table de cuisson, ne pas laisser de couvercle chaud sur la table de cuisson. Lors du refroidissement de la surface de cuisson, de l'air peut être emprisonné entre le couvercle et la table de cuisson, et la vitrocéramique peut se casser lorsque le couvercle est retiré.
- Nettoyer tous les renversements et toutes les saletés des aliments contenant du sucre sous n'importe quelle forme dès que possible. Laisser la table de cuisson refroidir légèrement; puis, en portant des mitaines de four, essuyer les renversements tandis que la surface est encore tiède. Si on laisse le sucre refroidir sur la table de cuisson, il se peut que celui-ci adhère à la surface et entraîne de la corrosion et des marques permanentes.
- Pour éviter les égratignures, ne pas faire glisser des ustensiles de cuisson ou de pâtisserie sur la table de cuisson. Les bases en aluminium ou en cuivre et des finitions rugueuses des ustensiles de cuissons ou de pâtisserie pourraient laisser des égratignures ou des marques sur la table de cuisson.
- Veiller à ce que les matières qui pourraient fondre, telles que le plastique ou le papier d'aluminium, ne touchent pas la table de cuisson lorsqu'elle est chaude.
- Pour éviter d'endommager la table de cuisson, ne pas utiliser la table de cuisson comme planche à découper.
- Utiliser des ustensiles de cuisson à peu près de la même dimension que la zone de cuisson à la surface. Les ustensiles ne doivent pas dépasser de plus de ½" (1,3 cm) hors de la zone de cuisson.



A. Zone de cuisson à la surface  
B. Ustensile de cuisson/autoclave  
C. Dépassement maximal de ½" (1,3 cm)

- Utiliser des ustensiles de cuisson à fond plat pour une meilleure transmission de la chaleur et efficacité de l'énergie. Les ustensiles de cuisson dont le fond est arrondi, gauchi, nervuré ou entaillé pourraient causer un chauffage inégal et des résultats de cuisson médiocres.
- Déterminer si le fond d'un ustensile de cuisson est plat en plaçant le bord d'une règle contre la base de l'ustensile. Lorsque la règle est tournée dans tous les sens, aucun espace ou lumière ne devrait être visible entre la règle et l'ustensile.
- S'assurer que le dessous des casseroles est propre et sec avant de les utiliser. Les résidus et l'eau peuvent laisser des dépôts lors de la cuisson.

---

## Préparation de conserves maison

**IMPORTANT :** Les boîtes de conserves en aluminium ou les boîtes dont le fond n'est pas complètement plat n'activeront pas la surface de cuisson. Voir la section "Ustensiles de cuisson".

Lors de la préparation de conserves pendant de longues périodes, alterner l'utilisation des surfaces de cuisson entre les quantités préparées. Ceci permet aux dernières surfaces utilisées de refroidir.

- Centrer l'autoclave sur la grille ou la plus grande surface de cuisson. L'autoclave ne doit pas dépasser de plus de ½" (1,3 cm) hors de la surface de cuisson.
- Ne pas placer l'autoclave sur deux surfaces de cuisson à la fois.
- Pour plus de renseignements, communiquez avec votre service local d'agriculture. Les compagnies qui fabriquent des produits pour la préparation de conserves peuvent aussi offrir de l'aide.

---

## Ustensiles de cuisson

Seuls les ustensiles de cuisson ferromagnétiques peuvent être utilisés pour la cuisson par induction.

**Les matériaux ferromagnétiques incluent :**

- Acier émaillé
- Fonte
- Acier inoxydable conçu pour la cuisson par induction

**Les matériaux non ferromagnétiques incluent :**

Ces types d'ustensiles ne sont pas adaptés à la cuisson par induction.

- Acier inoxydable
- Verre
- Céramique
- Cuivre ou aluminium

Pour déterminer si vos ustensiles de cuisson peuvent être utilisés avec une table de cuisson par induction, retourner l'ustensile, tenir un aimant près du fond de l'ustensile et voir s'il y a une attraction.

Le chiffre sur l'afficheur de réglage de chaleur de la surface de cuisson clignote si aucun ustensile n'est placé sur la surface de cuisson, ou si l'ustensile de cuisson n'a pas le matériau adapté, ou la taille appropriée. Il arrête de clignoter une fois qu'un ustensile de cuisson approprié est placé sur la surface de cuisson. À défaut d'avoir placé un ustensile approprié sur la surface de cuisson dans les 90 secondes, la surface de cuisson s'éteint.

Les ustensiles de cuisson idéals doivent avoir un fond plat, des parois droites, un couvercle qui ferme hermétiquement et le matériau doit être d'épaisseur moyenne à forte.

Choisir la taille d'ustensile appropriée pour chaque surface de cuisson. Le diamètre de la base de l'ustensile doit correspondre à la taille de la surface de cuisson.

**REMARQUE :** Les fabricants d'ustensiles de cuisson indiquent souvent le diamètre sur le dessus de l'ustensile. Il est souvent plus grand que le diamètre de la base.

Les ustensiles avec finis rugueux peuvent érafler la table de cuisson.

---

# ENTRETIEN DE LA TABLE DE CUISSON

## Nettoyage général

**IMPORTANT :** Avant le nettoyage, s'assurer que toutes les commandes sont désactivées et que la table de cuisson est refroidie. Toujours suivre les instructions sur les étiquettes des produits de nettoyage.

Du savon, de l'eau et un chiffon doux ou une éponge sont recommandés à moins d'indication contraire.

---

### VITROCÉRAMIQUE

Ne pas utiliser de laine d'acier, de poudre à récurer abrasive, d'eau de Javel, de produit de décapage de la rouille ou d'ammoniaque parce que ces produits peuvent endommager la surface.

**Méthode de nettoyage :**

Toujours essuyer avec une éponge ou un linge propre mouillé et sécher à fond pour éviter les rayures et les taches.

La crème à polir pour table de cuisson est recommandée pour une utilisation ordinaire afin d'aider à éviter les égratignures, les piqûres et l'abrasion et pour entretenir la table de cuisson. Elle peut être commandée comme accessoire. Voir la section "Assistance ou service" pour une commande.

Un grattoir pour table de cuisson est aussi recommandé pour les taches tenaces et peut être commandé comme accessoire. Voir la section "Assistance ou service" pour commander. Le grattoir pour table de cuisson utilise des lames de rasoir. **Ranger les lames de rasoir hors de portée des enfants.**

**Souillure légère à modérée**

- Essuie-tout ou éponge humide propre :

Nettoyer pendant que la table de cuisson est encore tiède. Vous devriez porter des mitaines de four pour ce nettoyage.

**Renversements de matières sucrées (gelées, confiseries, sirop)**

- Grattoir pour table de cuisson :

Nettoyer pendant que la table de cuisson est encore tiède. Vous devriez porter des mitaines de four pour ce nettoyage.

- Crème à polir pour table de cuisson et essuie-tout propre et humide :

Nettoyer dès que la table de cuisson a refroidi. Frotter la crème sur la surface avec un essuie-tout ou un linge doux humide. Continuer de frotter jusqu'à ce que la pellicule blanche disparaisse.

### **Souillure épaisse, rayures foncées, piqûres et décoloration**

- Crème à polir pour table de cuisson ou produit de nettoyage non abrasif :

Frotter le produit sur la souillure avec un essuie-tout ou un linge doux humide. Continuer de frotter jusqu'à ce que la pellicule blanche disparaisse.

### **Souillure cuite**

- Crème à polir pour table de cuisson et grattoir :

Frotter la crème sur la souillure avec un essuie-tout humide. Tenir le grattoir aussi à plat que possible sur la surface et gratter. Répéter pour les taches tenaces. Polir toute la table de cuisson avec la crème et un essuie-tout.

### **Marques métalliques provenant de l'aluminium et du cuivre**

- Crème à polir pour table de cuisson :

Nettoyer dès que la table de cuisson a refroidi. Frotter la crème sur la surface avec un essuie-tout ou un linge doux humide. Continuer de frotter jusqu'à ce que la pellicule blanche disparaisse. Les marques ne disparaîtront pas totalement, mais après plusieurs nettoyages, elles deviendront moins apparentes.

### **Petites éraflures et abrasions**

- Crème à polir pour table de cuisson :

Frotter la crème sur la surface avec un essuie-tout ou un linge doux humide. Continuer de frotter jusqu'à ce que la pellicule blanche disparaisse. Les éraflures et les abrasions n'affectent pas le rendement et, après plusieurs nettoyages, elles deviendront moins apparentes.

---

## **DÉPANNAGE**

**Essayer d'abord les solutions suggérées ici afin d'éviter le coût d'une visite de service non nécessaire.**

---

### **Rien ne fonctionne**

- **La table de cuisson est-elle correctement raccordée?** Voir les Instructions d'installation pour plus de renseignements.
- **Un fusible est-il grillé ou le disjoncteur s'est-il déclenché?** Remplacer le fusible ou réenclencher le disjoncteur. Si le problème persiste, appeler un électricien.

---

### **La table de cuisson ne fonctionne pas**

- **La commande de la table de cuisson est-elle bien réglée?** Appuyer sur SELECT (sélection) avant de sélectionner un réglage.
- **Le verrouillage des commandes a-t-il été réglé?** Voir la section "Verrouillage des commandes".
- **La table de cuisson s'est-elle mise hors tension toute seule?** La touche Power off (mise hors tension) a été enfoncée involontairement. Appuyer à nouveau sur la touche Power. Régler de nouveau la table de cuisson.

---

### **Chaleur excessive autour des ustensiles de cuisson sur la table de cuisson**

- **La dimension de l'ustensile de cuisson est-elle appropriée?** Utiliser des ustensiles de cuisson de la même taille environ que la surface de cuisson. L'ustensile de cuisson ne doit pas dépasser de plus de 1/2" (1,3 cm) à l'extérieur de la zone de cuisson.

---

### **Les résultats de cuisson sur la table de cuisson ne sont pas les résultats prévus**

- **Utilise-t-on un ustensile de cuisson approprié?** Voir la section "Ustensiles de cuisson".
- **La commande de la table de cuisson est-elle réglée au niveau approprié de chaleur?** Voir la section "Commandes de la table de cuisson".
- **L'appareil est-il d'aplomb?** Régler l'aplomb de l'appareil. Voir les Instructions d'installation.

---

### **Des messages s'affichent**

- **"E" clignote-t-il sur l'afficheur de la surface de cuisson?** Bien essuyer les touches ou retirer tout objet qui pourrait gêner. Lorsque le nettoyage est terminé, appuyer sur la touche correcte. Le clignotement devrait cesser.
- **Un "E" clignote-t-il sur tous les afficheurs de surfaces de cuisson avec un signal sonore?** L'interrupteur principal a-t-il été maintenu pendant plus de 5 secondes. Éliminer toute saleté sur les touches. Retirer tout objet qui pourrait gêner le fonctionnement des touches. Régler de nouveau la table de cuisson.
- **L'affichage clignote-t-il lorsqu'une casserole est placée sur une surface de cuisson à induction?** Vérifier que la casserole est électromagnétique. Vérifier que le diamètre de la casserole est assez grand. Centrer la casserole sur la surface de cuisson. Laisser la casserole refroidir si elle chauffe trop en cours d'utilisation. Éteindre la surface de cuisson puis la rallumer. Si l'afficheur ne s'allume toujours pas, éteindre l'alimentation au disjoncteur. Attendre 20 secondes et rétablir l'alimentation.

- **L'afficheur de la fonction Performance boost clignote-t-il et s'éteint-il?** La fonction Performance boost fait fonctionner la surface de cuisson à la puissance maximum. Pendant les longues périodes de cuisson, il est possible que la fonction désactive la surface de cuisson pour protéger la table de cuisson contre une surchauffe. Vous pouvez continuer à utiliser la table de cuisson si l'afficheur ne clignote pas.
- **“Er” et des chiffres clignotent-t-ils sur l'afficheur?** Si “Er” et une série de chiffres apparaissent sur le panneau d'affichage, interrompre l'alimentation électrique au disjoncteur. Remettre sous tension; si le problème persiste, appeler le service à la clientèle. Voir la section “Assistance ou service”.
- **“F” et des chiffres clignotent-t-ils sur l'afficheur?** Si “F” et un chiffre clignotent par alternance sur l'afficheur, consulter le tableau suivant pour trouver une éventuelle solution.

Code d'erreur	Erreur	Solution
F0	Une erreur interne a été détectée.	Déconnecter la source de courant électrique. Attendre 5 secondes avant de reconnecter la source de courant électrique. Si le symbole réapparaît, appeler le service à la clientèle.
F2	La surface de cuisson est trop chaude et s'est éteinte.	Retirer les ustensiles de cuisson de la surface de cuisson. “F2” disparaît lorsque la surface de cuisson a refroidi. Lorsqu'on rallume la surface de cuisson et que “F2” réapparaît, la table de cuisson est encore trop chaude. Éteindre la surface de cuisson et la laisser refroidir.
F4	L'ustensile de cuisson est trop près du tableau de commande.	Vérifier que l'ustensile de cuisson est centré sur la surface de cuisson et que rien de chaud n'est en contact avec le tableau de commande. Attendre 5 minutes pour que le tableau de commande refroidisse. Si “F4” apparaît après que la table de cuisson a été rallumée, appeler le service à la clientèle.
F8	La surface de cuisson fonctionne depuis trop longtemps.	L'arrêt automatique de la surface de cuisson a été activé. Éteindre la surface de cuisson.
c1	La tension est trop faible.	Éteindre la table de cuisson. Attendre 5 secondes puis la rallumer. Si le problème persiste, contacter un électricien qualifié.
c2/c3	La surface de cuisson a surchauffé.	L'arrêt automatique de la surface de cuisson a été activé. Attendre 5 minutes pour qu'elle refroidisse et la rallumer.

## Sons liés au fonctionnement de la table de cuisson

- **Y a-t-il un faible bourdonnement?** Ceci peut arriver en cas de cuisson à puissance élevée. La quantité d'énergie transmise de l'appareil à l'ustensile de cuisson est à l'origine de ce bourdonnement. Le bourdonnement faiblit ou cesse lorsque l'alimentation est interrompue.
- **Y a-t-il un bruit de crépitation?** Ceci peut arriver lorsqu'on utilise un ustensile de cuisson fait de différents matériaux. Le bruit est causé par les vibrations dans les jointures entre les différentes couches. Le bruit peut varier selon la quantité et le type d'aliments cuits.
- **Y a-t-il un bruit de ventilateur?** Les composants électroniques nécessitent une température contrôlée pour pouvoir fonctionner correctement. La table de cuisson est équipée d'un ventilateur dont la vitesse de fonctionnement varie en fonction de la température détectée. Le ventilateur peut également continuer à fonctionner une fois que la table de cuisson a été éteinte si la température détectée est trop élevée.

---

# ASSISTANCE OU SERVICE

---

Avant de faire un appel pour assistance ou service, veuillez vérifier la section "Dépannage". Cette vérification peut vous faire économiser le coût d'une visite de service. Si vous avez encore besoin d'aide, suivre les instructions ci-dessous.

Lors d'un appel, veuillez connaître la date d'achat et les numéros au complet du modèle et de la série de votre appareil. Ces renseignements nous aideront à mieux répondre à votre demande.

## Si le problème n'est pas attribuable à l'une des raisons indiquées dans la section "Dépannage"...

Téléphonez au marchand qui vous a vendu l'appareil ou téléphonez à Jenn-Air en composant au **1-800-807-6777** pour localiser une compagnie de service autorisée. Lors d'un appel, veuillez connaître la date d'achat et les numéros de modèle et de série complets de votre appareil. Assurez-vous de conserver la preuve d'achat pour vérifier les conditions de la garantie.

Si le marchand ou la compagnie de service ne peut pas résoudre votre problème, écrivez à :

**Jenn-Air Brand Home Appliances**  
**Customer Interaction Centre**  
**1901 Minnesota Court**  
**Mississauga, ON L5N 3A7**  
**Adresse Internet : [www.jennair.ca](http://www.jennair.ca)**

ou composez le **1-800-807-6777**.

**REMARQUE :** Pour toute correspondance ou appel au sujet d'un problème de service, veuillez inclure les renseignements suivants :

1. Vos nom, adresse et numéro de téléphone durant la journée.
2. Numéros de modèle et de série de l'appareil.
3. Nom et adresse de votre marchand ou du service d'entretien.
4. Une description claire du problème existant.
5. Preuve d'achat (reçu de vente).

Les guides de l'utilisateur, manuels d'entretien et informations sur les pièces sont disponibles auprès du Centre d'interaction avec la clientèle des appareils électroménagers de la marque Jenn-Air.

---

## Accessoires

### Crème à polir pour table de cuisson

(modèles avec vitrocéramique)

Commander la pièce n° 31464

### Protecteur de table de cuisson

(modèles avec vitrocéramique)

Commander la pièce n° 31463

### Grattoir pour table de cuisson

(modèles avec vitrocéramique)

Commander la pièce n° WA906B

### Nettoyant tout-usage pour appareils ménagers

Commander la pièce n° 31662

---

# GARANTIE DES APPAREILS DE CUISSON JENN-AIR®

---

## GARANTIE LIMITÉE DE UN AN

Pendant un an à compter de la date d'achat, lorsque ce gros appareil ménager est utilisé et entretenu conformément aux instructions jointes à ou fournies avec le produit, Jenn-Air, marque de Maytag Corporation ou Maytag Limited (ci-après désignée "Jenn-Air") paiera pour les pièces de rechange spécifiées par l'usine et la main-d'œuvre pour corriger les vices de matériaux ou de fabrication. Le service doit être fourni par une compagnie de service désignée par Jenn-Air. Cette garantie limitée s'applique exclusivement lorsque l'appareil est utilisé dans le pays où il a été acheté.

---

## GARANTIE LIMITÉE DE LA DEUXIÈME À LA CINQUIÈME ANNÉE INCLUSIVEMENT SUR CERTAINS COMPOSANTS

De la deuxième à la cinquième année inclusivement à compter de la date d'achat, lorsque cet appareil ménager est utilisé et entretenu conformément aux instructions jointes à ou fournies avec le produit, Jenn-Air paiera pour les pièces spécifiées par l'usine pour les composants suivants (si applicables au produit), en cas de vices de matériaux ou de fabrication :

- Élément électrique
- Clavier et microprocesseur
- Table de cuisson en vitrocéramique : en cas de bris d'origine thermique
- Commandes électroniques
- Tube magnétron
- Brûleurs à gaz scellés

---

## JENN-AIR NE PRENDRA PAS EN CHARGE

1. Les visites de service pour rectifier l'installation du gros appareil ménager, montrer à l'utilisateur comment utiliser l'appareil, remplacer ou réparer des fusibles ou rectifier le câblage ou la plomberie du domicile.
2. Les visites de service pour réparer ou remplacer les ampoules électriques de l'appareil, les filtres à air ou les filtres à eau. Ces pièces consommables ne sont pas couvertes par la garantie.
3. Les réparations lorsque le gros appareil ménager est utilisé à des fins autres que l'usage unifamilial normal.
4. Les dommages imputables à : accident, modification, usage impropre ou abusif, incendie, inondation, actes de Dieu, installation fautive ou installation non conforme aux codes d'électricité ou de plomberie, ou l'utilisation de produits non approuvés par Jenn-Air.
5. Le coût des pièces de rechange et de la main-d'œuvre pour les appareils utilisés hors des États-Unis ou du Canada.
6. Le ramassage et la livraison. Ce gros appareil ménager est conçu pour être réparé à domicile.
7. Les réparations aux pièces ou systèmes résultant d'une modification non autorisée faite à l'appareil.
8. Les frais de voyage et de transport pour le service d'un produit dans les régions éloignées.
9. La dépose et la réinstallation de votre appareil si celui-ci est installé dans un endroit inaccessible ou n'est pas installé conformément aux instructions d'installation fournies.
10. Le coût des pièces de rechange et de la main-d'œuvre lorsque l'appareil est utilisé dans un pays autre que le pays où il a été acheté.

---

## CLAUSE D'EXONÉRATION DE RESPONSABILITÉ AU TITRE DES GARANTIES IMPLICITES; LIMITATION DES RECOURS

LE SEUL ET EXCLUSIF RECOURS DU CLIENT DANS LE CADRE DE LA PRÉSENTE GARANTIE LIMITÉE CONSISTE EN LA RÉPARATION PRÉVUE CI-DESSUS. LES GARANTIES IMPLICITES, Y COMPRIS LES GARANTIES APPLICABLES DE QUALITÉ MARCHANDE ET D'APTITUDE À UN USAGE PARTICULIER, SONT LIMITÉES À UN AN OU À LA PLUS COURTE PÉRIODE AUTORISÉE PAR LA LOI. JENN-AIR N'ASSUME AUCUNE RESPONSABILITÉ POUR LES DOMMAGES FORTUITS OU INDIRECTS. CERTAINES JURIDICTIONS NE PERMETTENT PAS L'EXCLUSION OU LA LIMITATION DES DOMMAGES FORTUITS OU INDIRECTS, OU LES LIMITATIONS DE LA DURÉE DES GARANTIES IMPLICITES DE QUALITÉ MARCHANDE OU D'APTITUDE À UN USAGE PARTICULIER, DE SORTE QUE CES EXCLUSIONS OU LIMITATIONS PEUVENT NE PAS S'APPLIQUER DANS VOTRE CAS. CETTE GARANTIE VOUS CONFÈRE DES DROITS JURIDIQUES SPÉCIFIQUES ET VOUS POUVEZ ÉGALEMENT JOUIR D'AUTRES DROITS QUI PEUVENT VARIER D'UNE JURIDICTION À UNE AUTRE.

---

À l'extérieur du Canada et des 50 États des États-Unis, cette garantie ne s'applique pas. Contacter votre marchand Jenn-Air autorisé pour déterminer si une autre garantie s'applique.

Si vous avez besoin de service, voir d'abord la section "Dépannage" du Guide d'utilisation et d'entretien. Après avoir vérifié la section "Dépannage", de l'aide supplémentaire peut être trouvée en vérifiant la section "Assistance ou service" ou en appelant Jenn-Air. Aux É.-U., composer le **1-800-JENNAIR (1-800-536-6247)**. Au Canada, composer le **1-800-807-6777**.

2/07

---

**Conservez ce manuel et votre reçu de vente ensemble pour référence ultérieure. Pour le service sous garantie, vous devez présenter un document prouvant la date d'achat ou d'installation.**

Inscrivez les renseignements suivants au sujet de votre gros appareil ménager pour mieux vous aider à obtenir assistance ou service en cas de besoin. Vous devrez connaître le numéro de modèle et le numéro de série au complet. Vous trouverez ces renseignements sur la plaque signalétique située sur le produit.

Nom du marchand \_\_\_\_\_

Adresse \_\_\_\_\_

Numéro de téléphone \_\_\_\_\_

Numéro de modèle \_\_\_\_\_

Numéro de série \_\_\_\_\_

Date d'achat \_\_\_\_\_